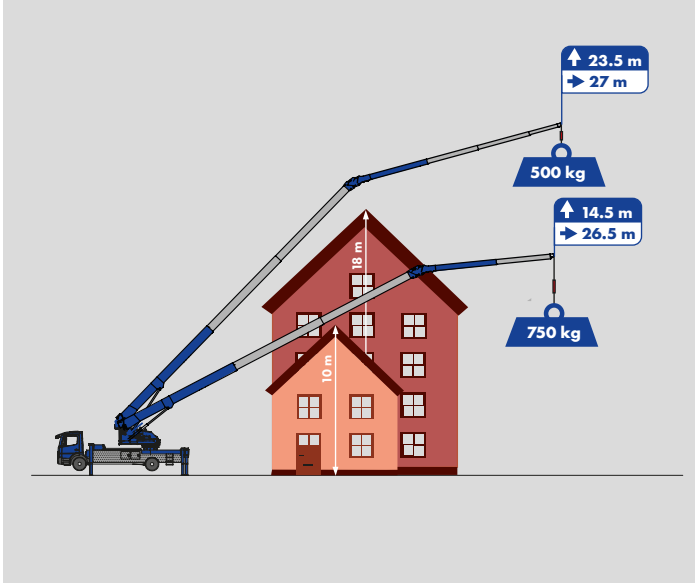




Working range

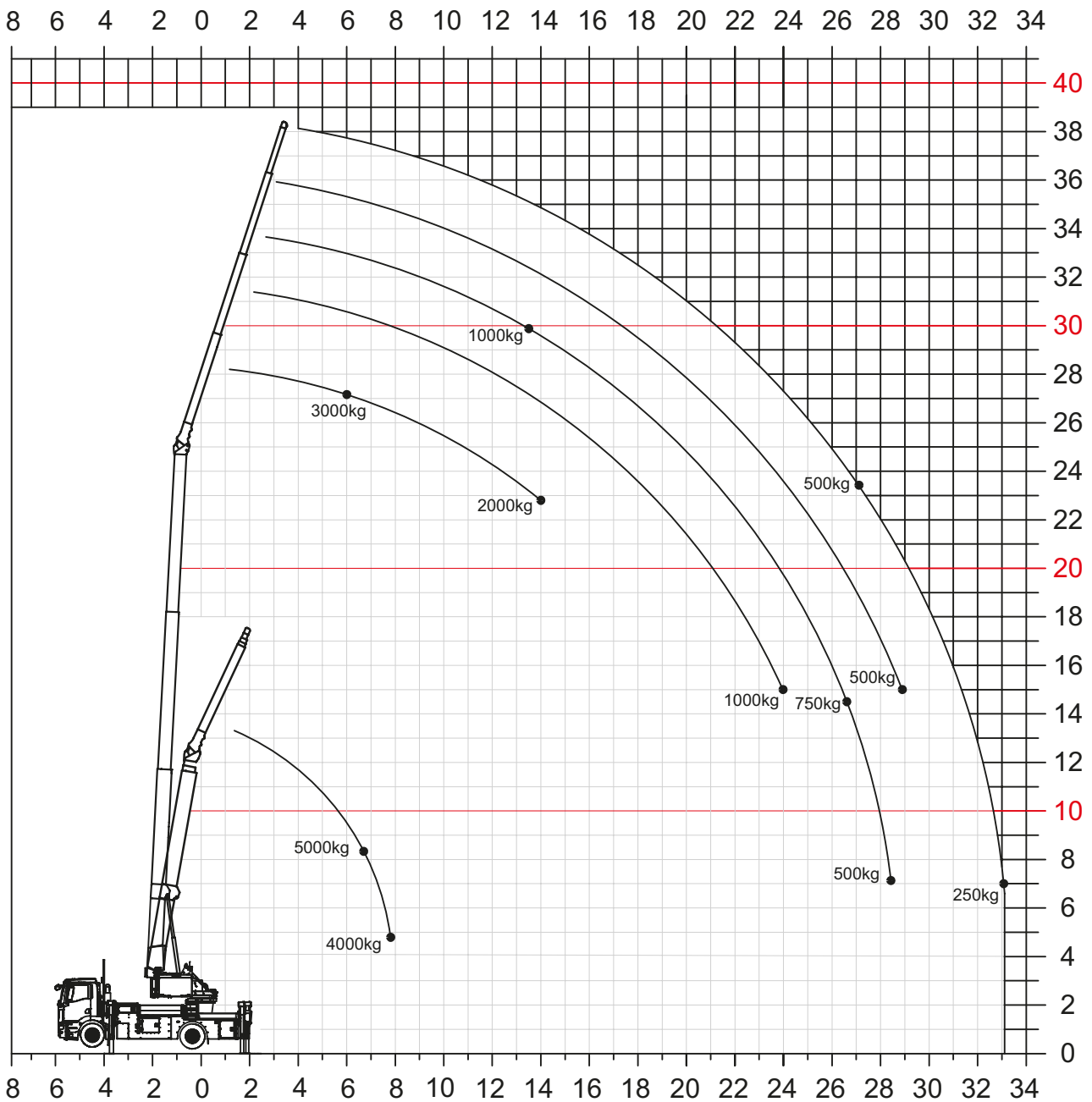


▶ Hook height 38.1 m / Boom length 40 m

▶ 29 m max. Working range with 500 kg

▶ Double hydraulic telescopic fly jib

Working range diagram



Working range crane operation

Load	Range	Height
250 kg	33.00 m	7.00 m
500 kg	29.00 m	15.00 m
750 kg	26.50 m	14.50 m
1,000 kg	24.00 m	15.00 m
2,000 kg	14.00 m	23.00 m
3,000 kg	6.00 m	27.00 m

Two fall operation (optional)

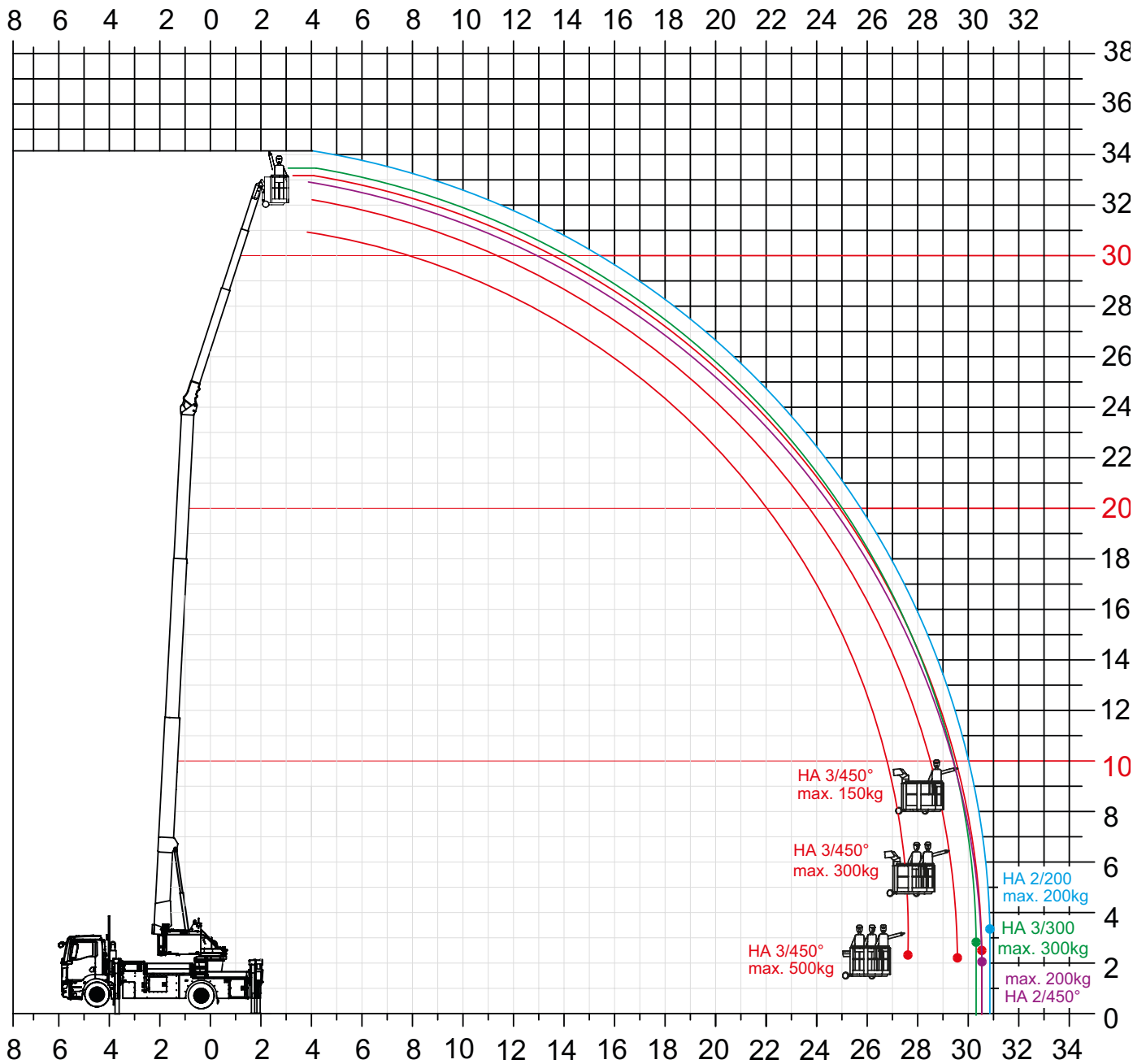
Load	Range	Height
4,000 kg	7.80 m	4.80 m
5,000 kg	6.80 m	8.30 m

Working range HA 2/200

Load	Range	Height
200 kg	30.80 m	3.30 m
max. Working height		34.20 m

Working range vary, depending on truck type.

Platform operation



Working range HA 3/300

Load	Range	Height
300 kg	30.50 m	2.80 m
max. Working height		33.50 m

Working range HA 2/450°

Load	Range	Height
200 kg	30.50 m	2.00 m
max. Working height		32.80 m




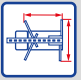


Working range HA 3/450°

Load	Range	Height
150 kg	30.50 m	2.50 m
300 kg	29.50 m	2.20 m
500 kg	27.50 m	2.30 m
max. Working height		33.00 m

Working range vary, depending on truck type.

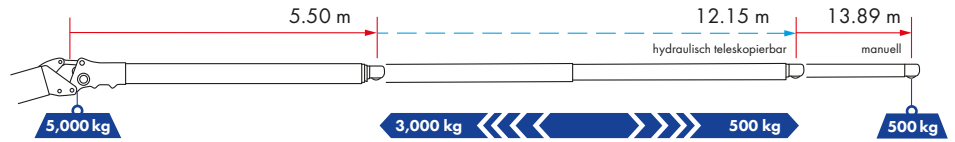


Technical specifications

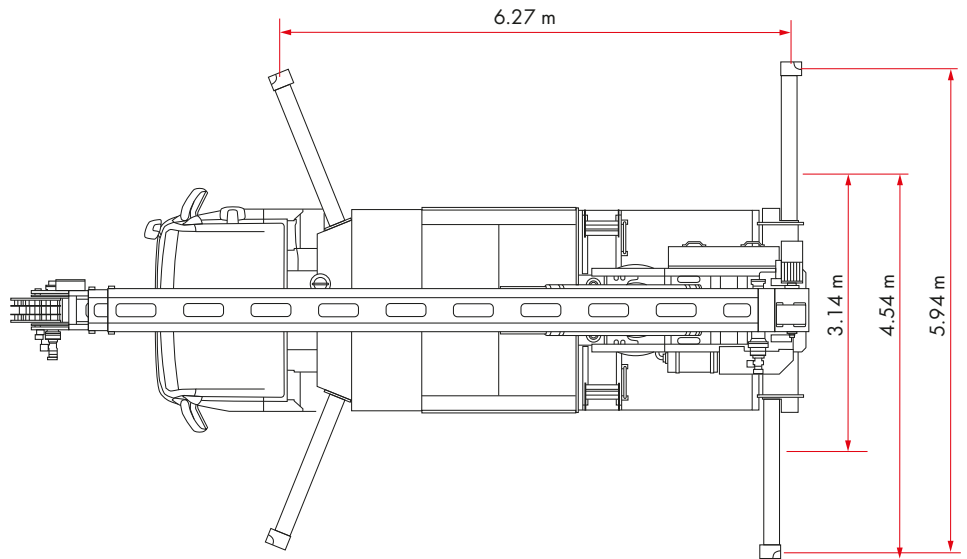
Load capacity	
Hook load	3,000 kg
Two fall operation (optional)	5,000 kg
Winch capacity	3,000 kg
Boom	
 Hook height	38.10 m
 Boom length	39.45 m
 Working height up to the boom	25.66 m
Swivel range	Continuous rotation
Fly jib	
Fly jib (3,000 kg)	5.50 m
Extension 1+2 (3,000 kg - 500 kg)	5.50 - 12.15 m
Extension 3 (500 kg)	13.89 m
V-Outriggers	
 Outriggers (max.) L x W	6.27 x 5.94 m
 Outrigger width (min.)	3.14 m
 Outrigger width 1-sided support	4.54 m
Drive concepts	
D	seperate diesel engine
E	Battery-powered electric motor
Truck	
Truck* Total weight (min.)	≥ 18.00 t

* depending on truck type

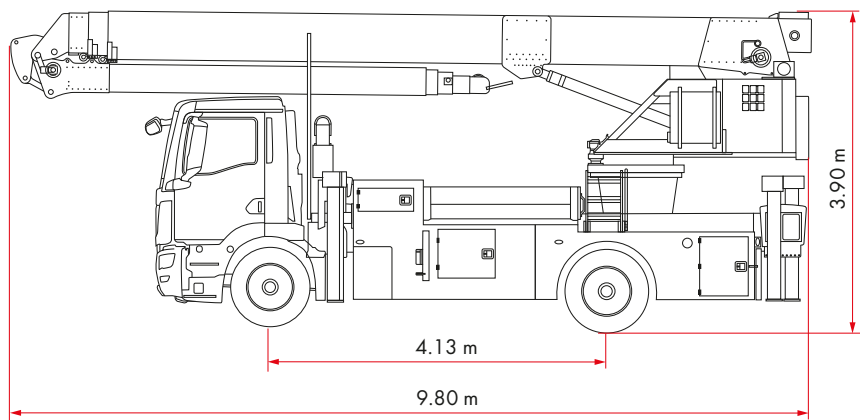
Fly jib



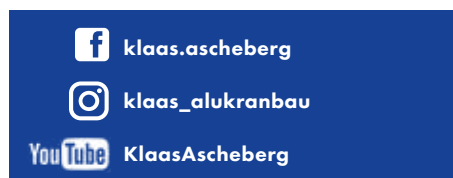
Outriggers



Truck (MAN TGM)



Subject to technical changes. All specifications are approximate and depending on truck type. Changes to the functions and services are reserved. The information reflects the device performance at the time of printing.



Klaas Service- & Vertriebs GmbH
 Haselburger Damm 25 · D-59387 Ascheberg
 Telefon +49 (0) 25 93 - 95 92-0
 E-Mail: info@klaas.com