



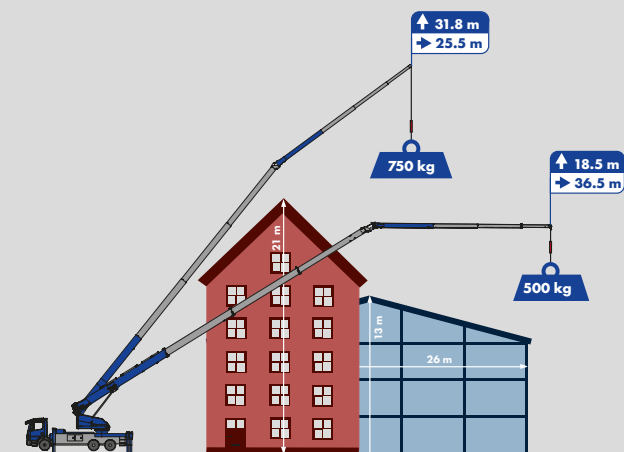
# Klaas

# K950 L

# K950



## Working range

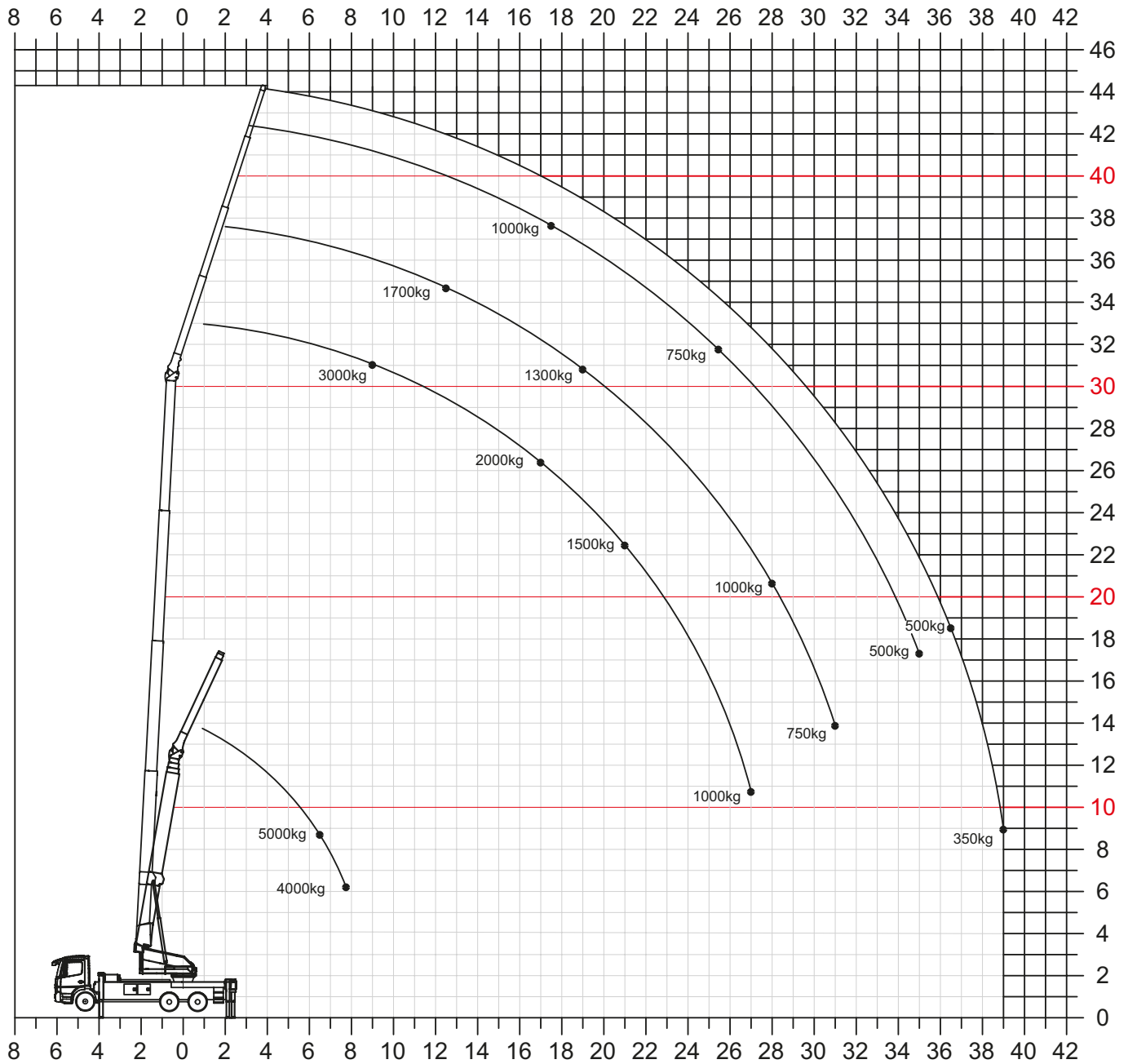


▶ Hook height 44.1 m / Boom length 45.3 m

▶ 28 m max. Working Range with 1,000 kg

▶ Double hydraulic telescopic fly jib

## Working range diagram



### Working range crane operation

Load	Range	Height
350 kg	39.00 m	9.00 m
500 kg	36.50 m	18.50 m
1,000 kg	28.00 m	20.80 m
1,500 kg	21.00 m	22.50 m
2,000 kg	17.00 m	26.50 m
3,000 kg	9.00 m	31.00 m

### Two fall operation (optional)

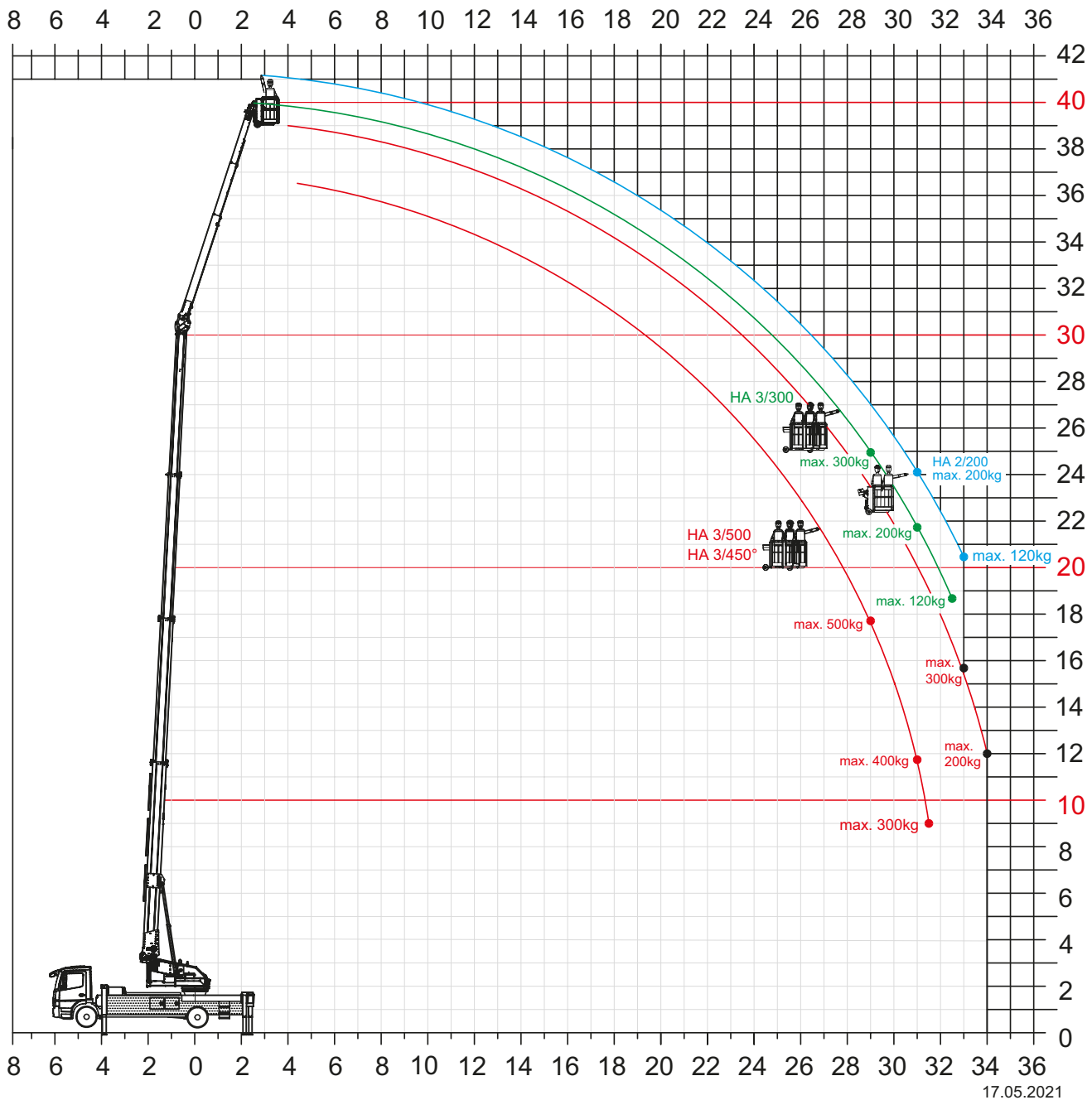
Load	Range	Height
4,000 kg	8.00 m	6.00 m
5,000 kg	6.50 m	8.50 m

### Working range HA 2/200

Load	Range	Height
120 kg	33.00 m	20.50 m
200 kg	31.00 m	24.00 m
max. Working height		41.00 m

Working range vary, depending on truck type.

## Platform operation



### Working range HA 3/300

Load	Range	Height
120 kg	32.50 m	18.80 m
200 kg	31.00 m	22.00 m
300 kg	29.00 m	25.00 m
max. Working height		40.00 m

### Working range HA 3/500




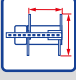


Load	Range	Height
200 kg	34.00 m	12.00 m
300 kg	33.00 m	15.80 m
400 kg	31.00 m	11.80 m
500 kg	29.00 m	17.80 m
max. Working height		39.00 m

### Working range HA 3/450°

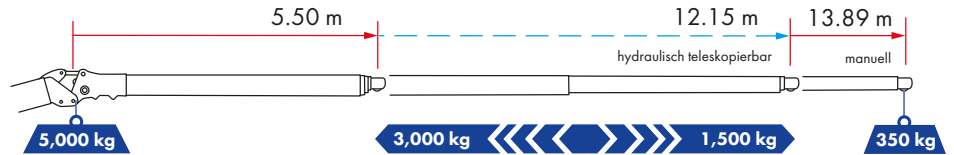
Load	Range	Height
200 kg	34.00 m	12.00 m
300 kg	33.00 m	15.80 m
max. Working height		39.00 m



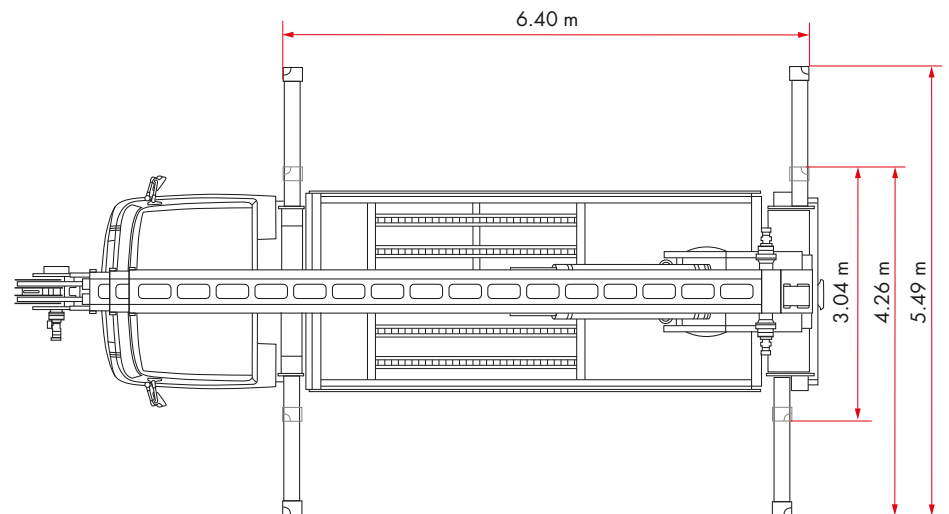
## Technical specifications

Load capacity	
Hook load	3,000 kg
Two fall operation (optional)	5,000 kg
Winch capacity	3,000 kg
Boom	
 Hook height	44.10 m
 Boom length	45.30 m
 Working height up to the boom	31.50 m
Swivel range	Continuous rotation
Fly jib	
Fly jib (3,000 kg)	5.50 m
Extension 1-2 (3,000 kg - 1,500 kg)	5.50 - 12.15 m
Extension 3 (350 kg)	13.89 m
H-Outriggers	
 Outriggers (max.) L x W	6.40 x 5.49 m
 Outrigger width (min.)	3.04 m
 Outrigger width 1-sided support	4.26 m
Equipment	
K950	Klaas loading area (1-t payload)
K950 L	WECON-loading area (6-t payload)
Drive concepts	
K950 D	Auxiliary drive with PTO
K950 E	Battery-powered E-motor (96-V Akku)
K950 LHX	Hybrid drive with PTO
K950 LE	Battery-powered E-motor (96-V Akku)
Truck	
Truck* Total weight (min.)	≥ 20 - 26 t

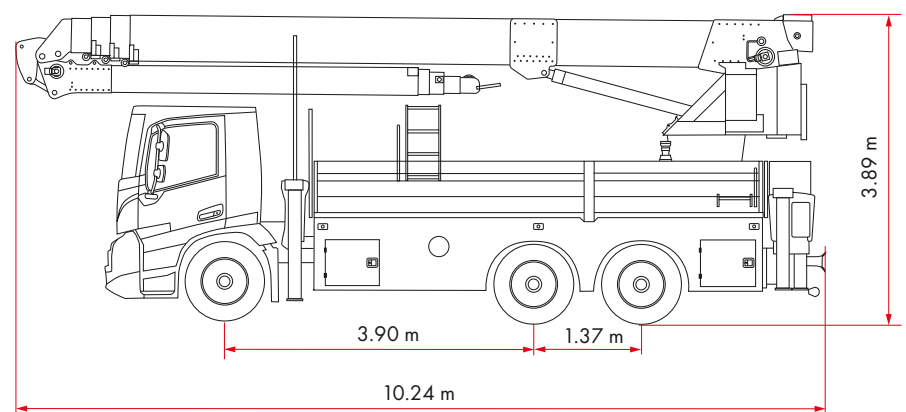
### Fly jib



### Outriggers (K950 L)



### Truck (K950 L - Volvo FMX 340)



Subject to technical changes. All specifications are approximate and depending on truck type. Changes to the functions and services are reserved. The information reflects the device performance at the time of printing.

\*depending on truck type

01/2026



**Klaas Service- & Vertriebs GmbH**

Haselburger Damm 25 · D-59387 Ascheberg

Telefon +49 (0) 25 93 - 95 92-0

E-Mail: [info@klaas.com](mailto:info@klaas.com)