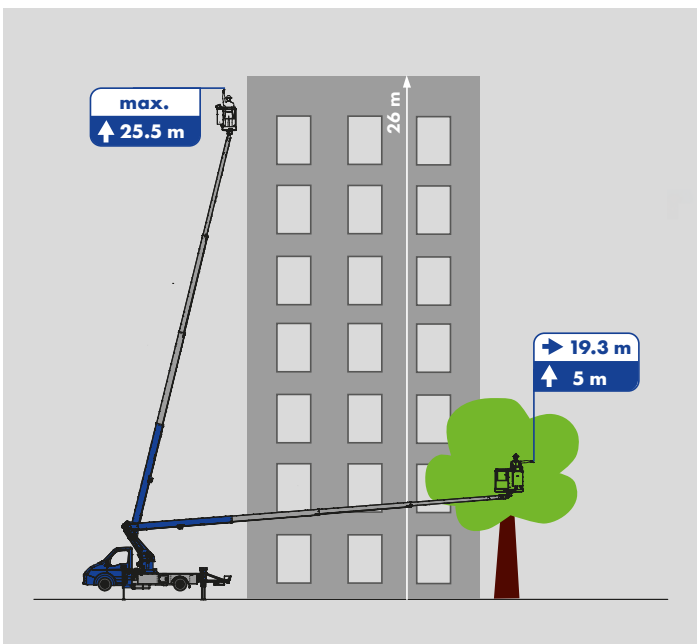




Klaas

Theo25V

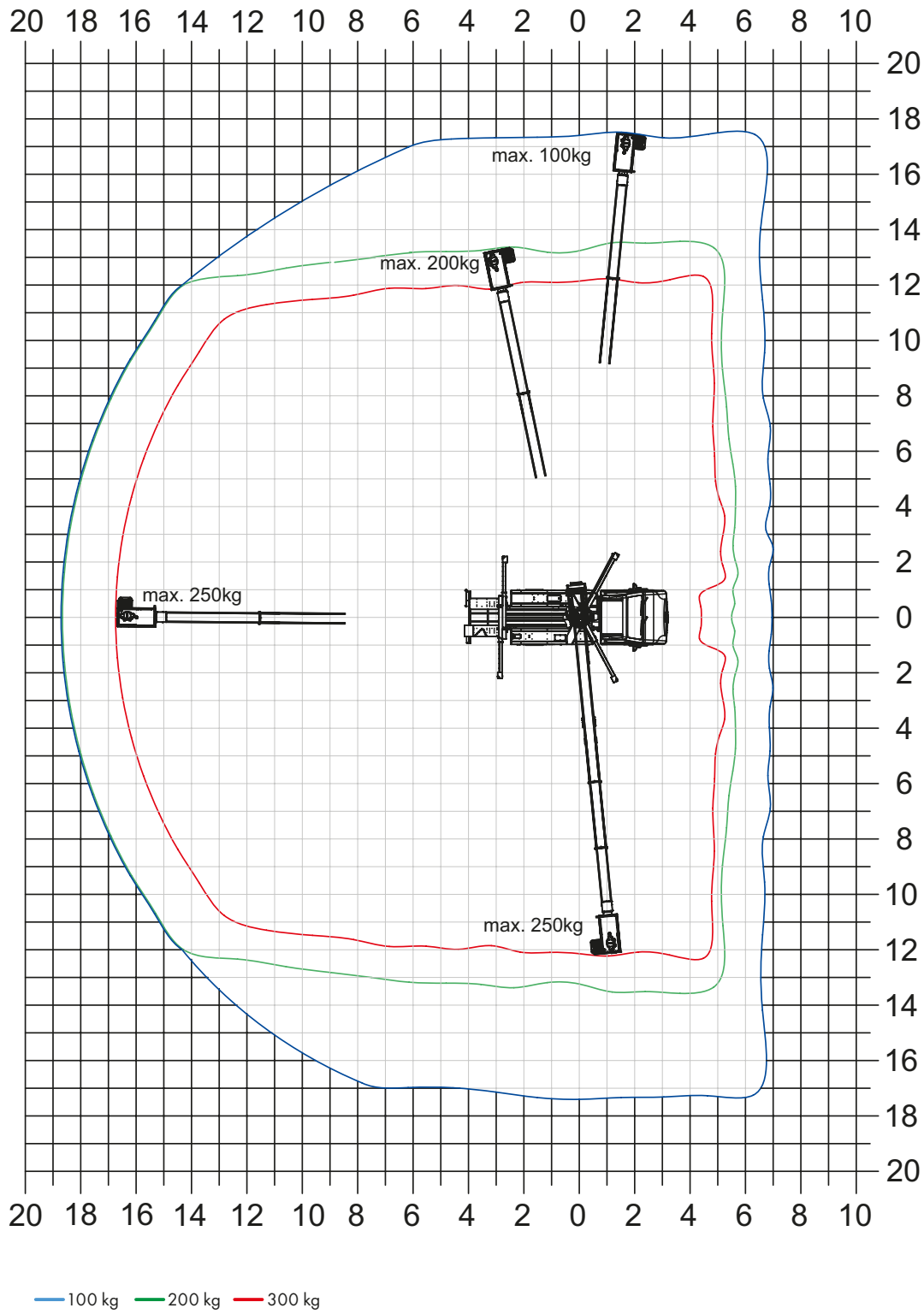


▶ 25.5 m Working height

▶ 19.3 m Working radius with 100 kg

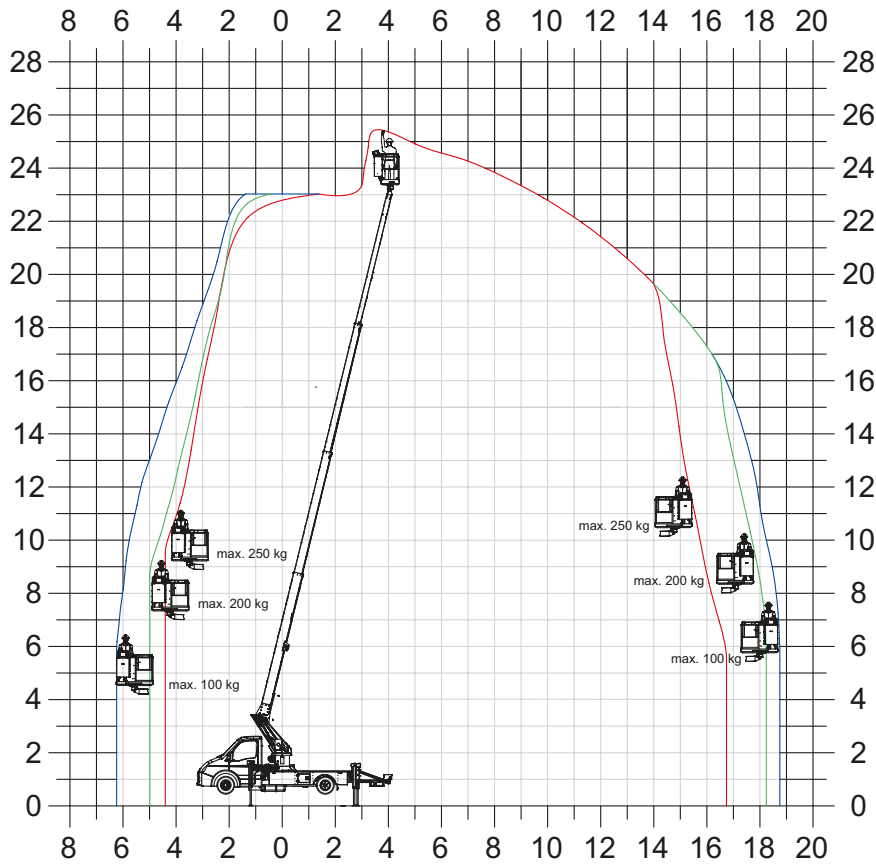
▶ Simple handling

Working range diagram



Working range vary, depending on truck type.

Working range diagram - Range to the rear



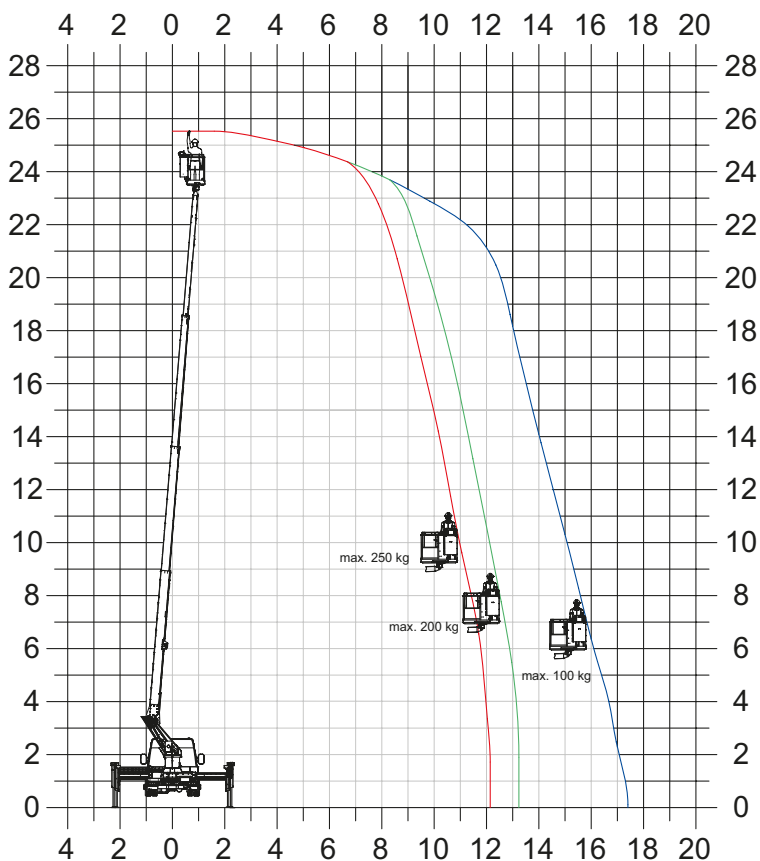
Working range to the rear

Load	Range	Height
100 kg	19.30 m	5.00 m
200 kg	18.80 m	5.00 m
250 kg	17.30 m	5.00 m
max. Working height		25.50 m

Working range to the side

Load	Range	Height
100 kg	17.30 m	4.00 m
200 kg	13.50 m	4.00 m
250 kg	12.50 m	4.00 m
max. Working height		25.50 m

Range to the side

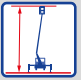

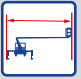


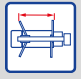



Working range vary, depending on truck type.



Technical specifications

Work basket	
max. Basket capacity	250 kg
Work basket angle of rotation	+/- 90°
Large work basket	1,40 x 0,70 m

Boom	
 Working height	25,50 m
 Range to the rear (100 kg)	19,30 m
 Range to the side (100 kg)	17,30 m
Swivel range	+/- 180°

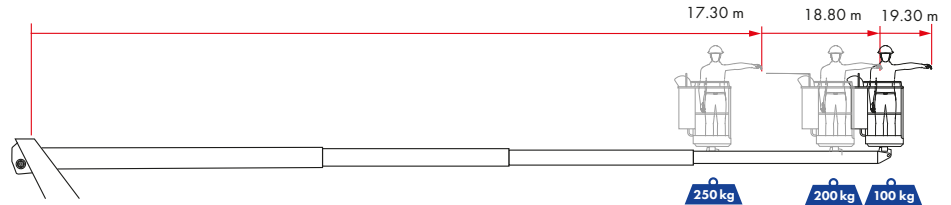
V-Outriggers	
 Outrigger length (max.)	4,14 m
 Outrigger width (min.)	2,20 m
 Outrigger width (max.)	front 4,50 m back 4,25 m
 Outrigger width 1-sided support	3,35 m

Drive concept	
PTO	

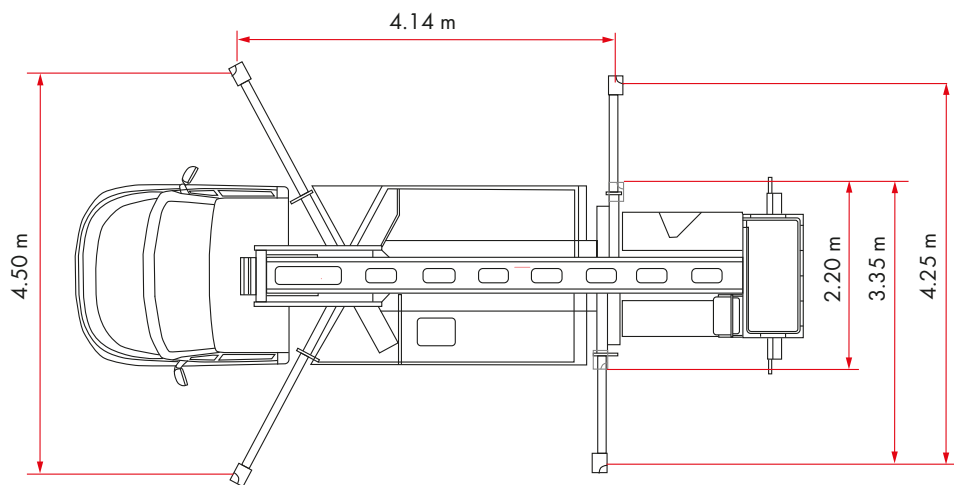
Vehicle	
Clearance height	ca. 3,00 m
Total weight* (min.)	≥ 3,5 t

Available with a chassis based on the Iveco Daily or Mercedes Sprinter.

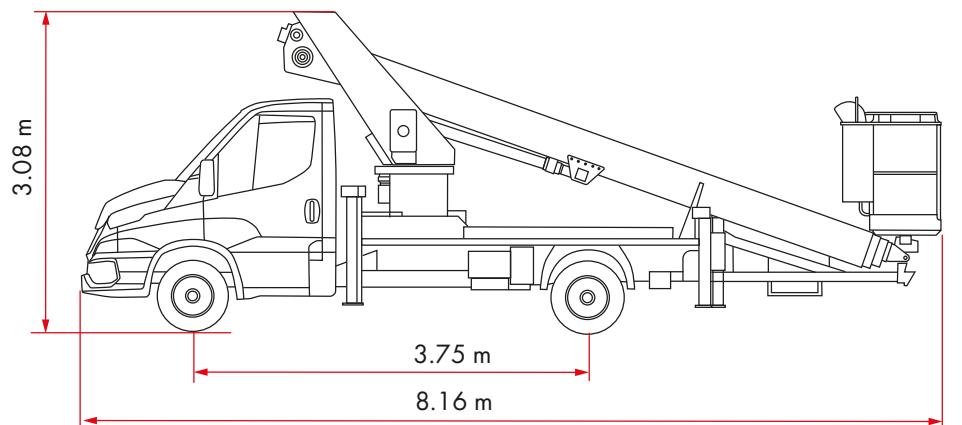
Boom



Outriggers



Vehicle (Iveco Daily)



Subject to technical changes. All specifications are approximate. Changes to the functions and services are reserved. The information reflects the device performance at the time of printing.

05/2026

